



US011837706B2

(12) **United States Patent**  
**Cournoyer**

(10) **Patent No.:** **US 11,837,706 B2**  
(45) **Date of Patent:** **Dec. 5, 2023**

(54) **ADHESIVE BOND SETTING WITH  
PRE-CURED ADHESIVE STANDOFFS**

(71) Applicant: **Rivian IP Holdings, LLC**, Plymouth,  
MI (US)

(72) Inventor: **Travis Cournoyer**, Redondo Beach,  
CA (US)

(73) Assignee: **Rivian IP Holdings, LLC**, Plymouth,  
MI (US)

(\*) Notice: Subject to any disclaimer, the term of this  
patent is extended or adjusted under 35  
U.S.C. 154(b) by 564 days.

(21) Appl. No.: **16/824,375**

(22) Filed: **Mar. 19, 2020**

(65) **Prior Publication Data**

US 2021/0296719 A1 Sep. 23, 2021

(51) **Int. Cl.**

**H01M 10/6555** (2014.01)  
**H01M 10/613** (2014.01)  
**H01M 10/6551** (2014.01)  
**H01M 10/653** (2014.01)  
**H01M 10/643** (2014.01)  
**H01M 10/6554** (2014.01)  
**H01M 50/213** (2021.01)  
**H01M 10/64** (2014.01)

(52) **U.S. Cl.**

CPC ..... **H01M 10/643** (2015.04); **H01M 10/613**  
(2015.04); **H01M 10/653** (2015.04); **H01M**  
**10/6551** (2015.04); **H01M 10/6554** (2015.04);  
**H01M 50/213** (2021.01); **H01M 10/64**  
(2015.04)

(58) **Field of Classification Search**

CPC ..... H01M 10/6554; H01M 10/613; H01M  
10/643; H01M 10/653; H01M 10/6551;  
H01M 10/64; H01M 50/213; Y02E 60/10  
See application file for complete search history.

(56) **References Cited**

**U.S. PATENT DOCUMENTS**

10,644,366 B2 \* 5/2020 Landerer ..... H01M 10/6551  
10,707,462 B1 \* 7/2020 Lane ..... H01M 10/613  
11,038,225 B2 \* 6/2021 Hofer ..... H01M 50/271  
2013/0230746 A1 \* 9/2013 Byun ..... H01M 10/425  
429/185  
2014/0065455 A1 \* 3/2014 Chuang ..... H01M 10/613  
429/82  
2015/0079449 A1 \* 3/2015 Kim ..... H01M 50/507  
429/121

(Continued)

**FOREIGN PATENT DOCUMENTS**

CN 107195824 A \* 9/2017 ..... H01M 10/6554  
WO WO-2012117681 A1 \* 9/2012 ..... H01M 10/0413

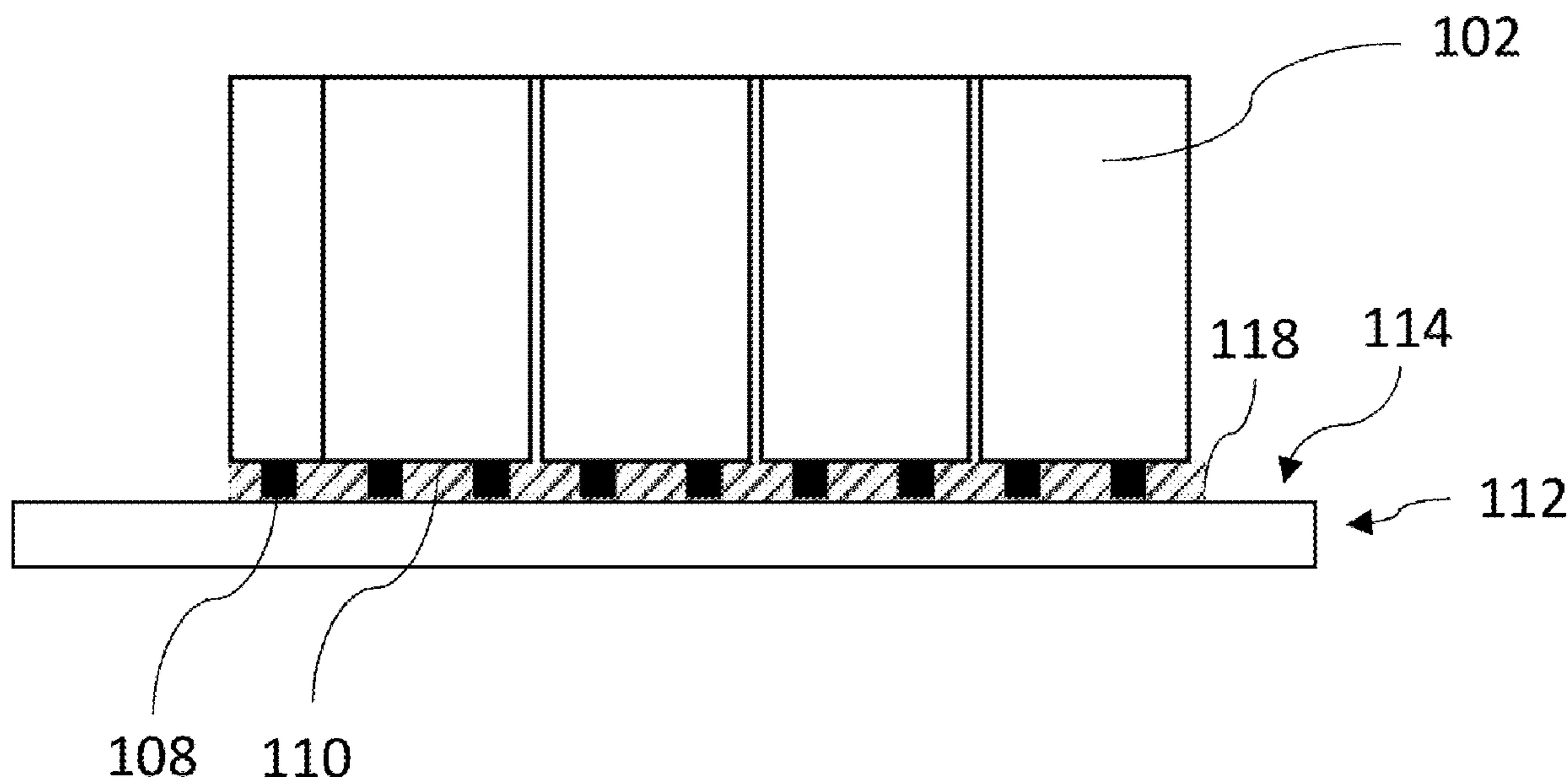
*Primary Examiner* — Kaity V Chandler

(74) *Attorney, Agent, or Firm* — Haley Guiliano LLP

(57) **ABSTRACT**

A battery module and a method of assembling the battery  
module are provided. The battery module includes a cooling  
plate having a cooling surface, an adhesive standoff disposed  
on a first portion of the cooling surface, and a securing  
adhesive disposed on a second portion of the first cooling  
surface. The securing adhesive is disposed on the cooling  
surface after the adhesive standoff is substantially cured. The  
battery module further includes a plurality of battery cells.  
A first end of each of the plurality of battery cells is  
secured to the cooling surface by the securing adhesive. The  
adhesive standoff maintains the first end of each of the  
plurality of battery cells a distance away from the cooling  
surface while the securing adhesive cures.

**20 Claims, 7 Drawing Sheets**



(56)

**References Cited**

U.S. PATENT DOCUMENTS

2016/0118633 A1\* 4/2016 Hongo ..... H01M 50/507  
429/121  
2018/0131028 A1\* 5/2018 Offutt ..... H01M 50/20  
2018/0316071 A1\* 11/2018 Newman ..... H01M 10/613  
2018/0351220 A1\* 12/2018 Homann ..... H01M 10/653  
2019/0280355 A1\* 9/2019 Kim ..... H01M 50/233  
2019/0296310 A1\* 9/2019 Newman ..... H01M 50/516  
2019/0296321 A1\* 9/2019 Newman ..... H01M 50/296  
2019/0296407 A1\* 9/2019 Newman ..... H01M 10/6555  
2019/0372173 A1\* 12/2019 Juzkow ..... H01M 10/65  
2020/0006825 A1\* 1/2020 Lee ..... H01M 10/6567  
2020/0052260 A1\* 2/2020 Fees ..... H01M 50/293  
2020/0067041 A1\* 2/2020 Wurden ..... H01R 13/11  
2020/0153057 A1\* 5/2020 Wynn ..... H01M 10/6568  
2020/0274118 A1\* 8/2020 Fees ..... H01M 50/213  
2020/0280032 A1\* 9/2020 Yebka ..... C09J 7/30

\* cited by examiner

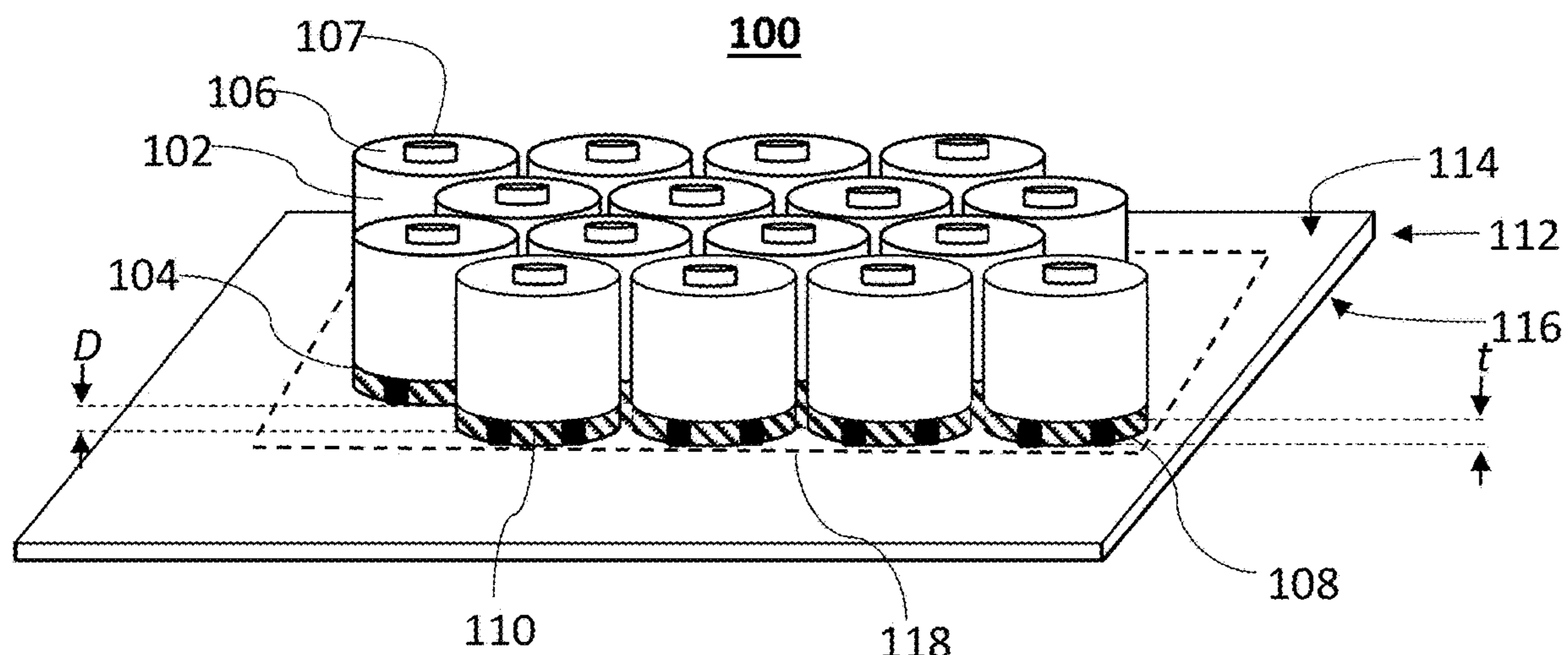


FIG. 1A

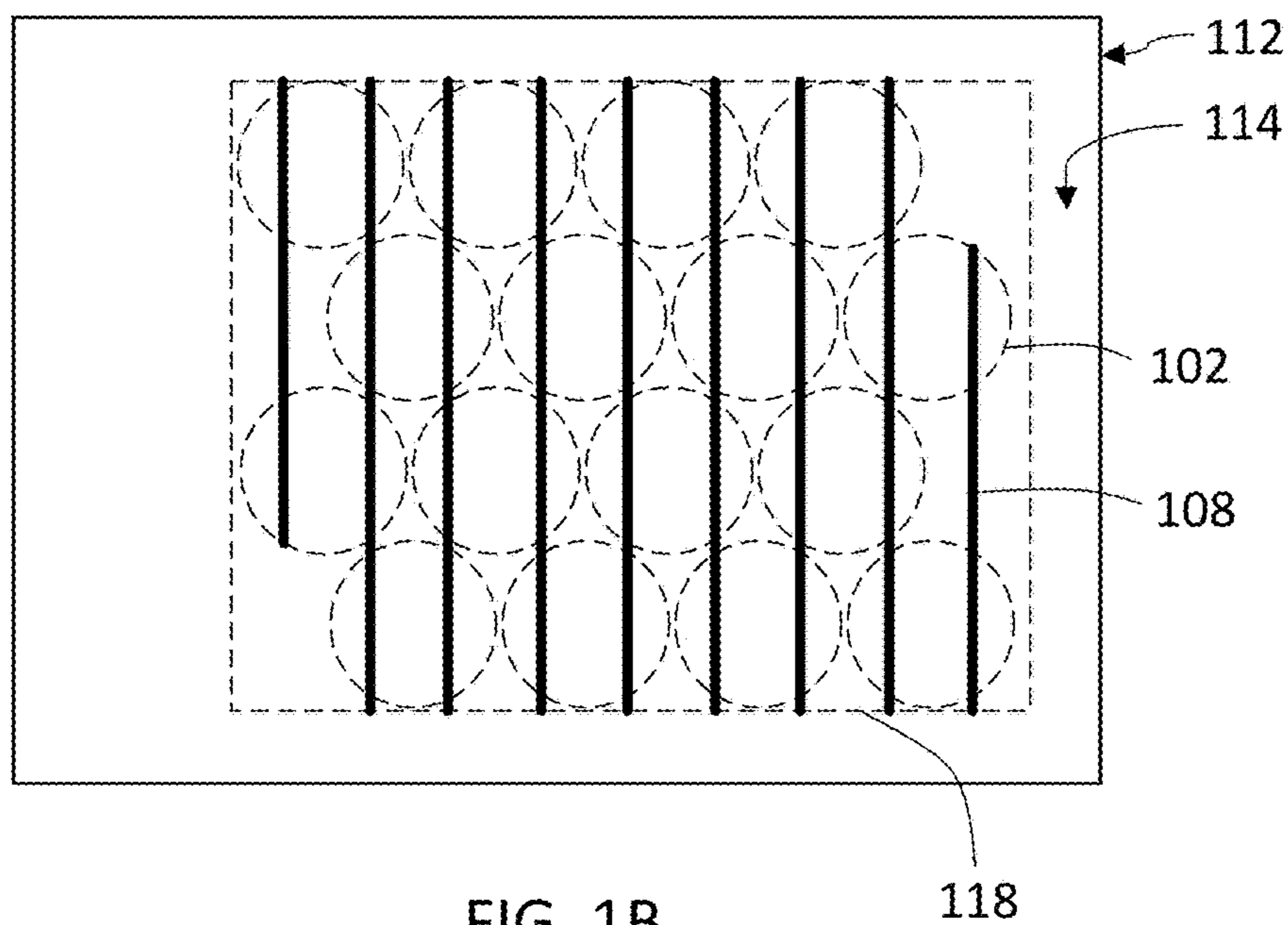


FIG. 1B

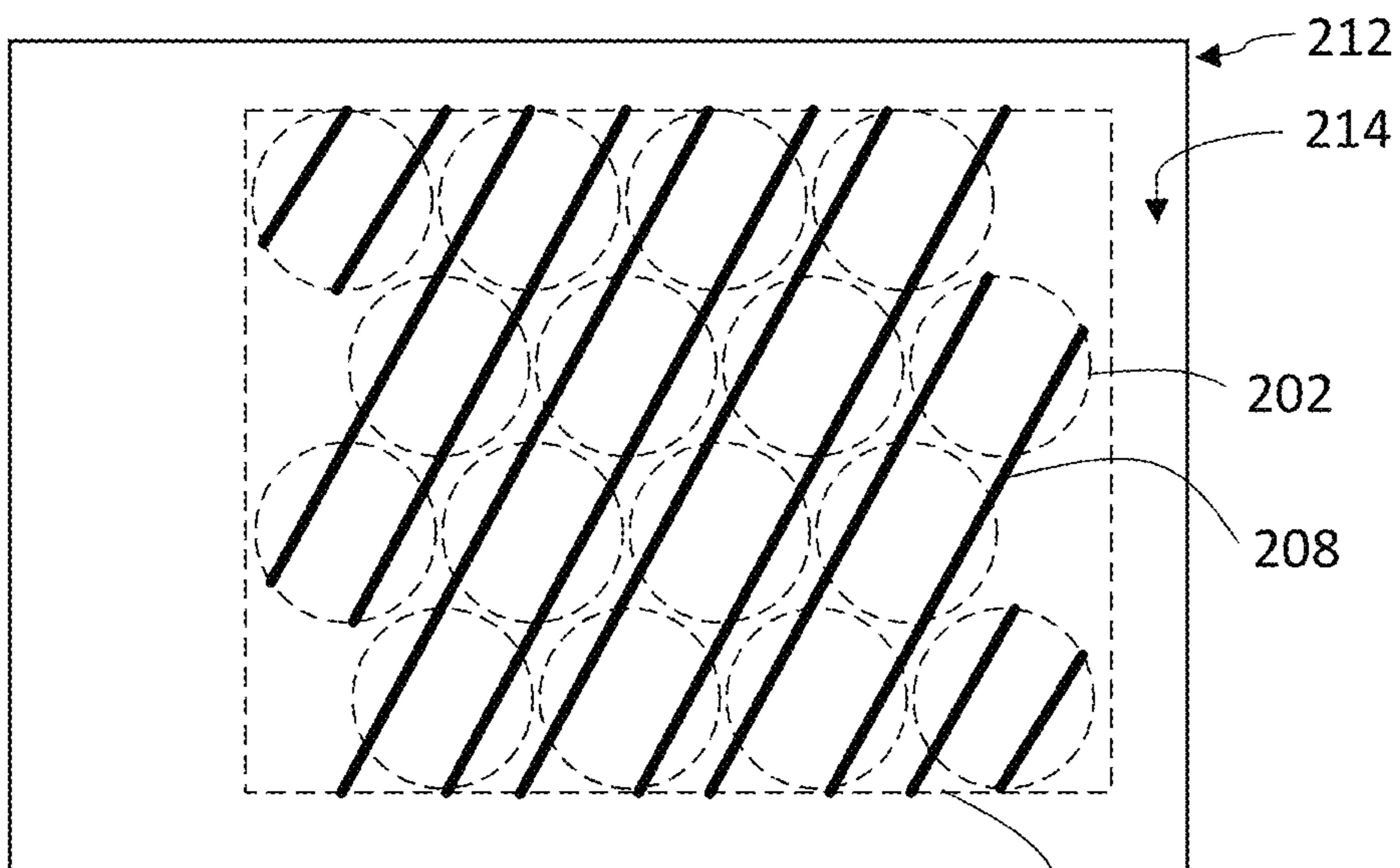


FIG. 2

218

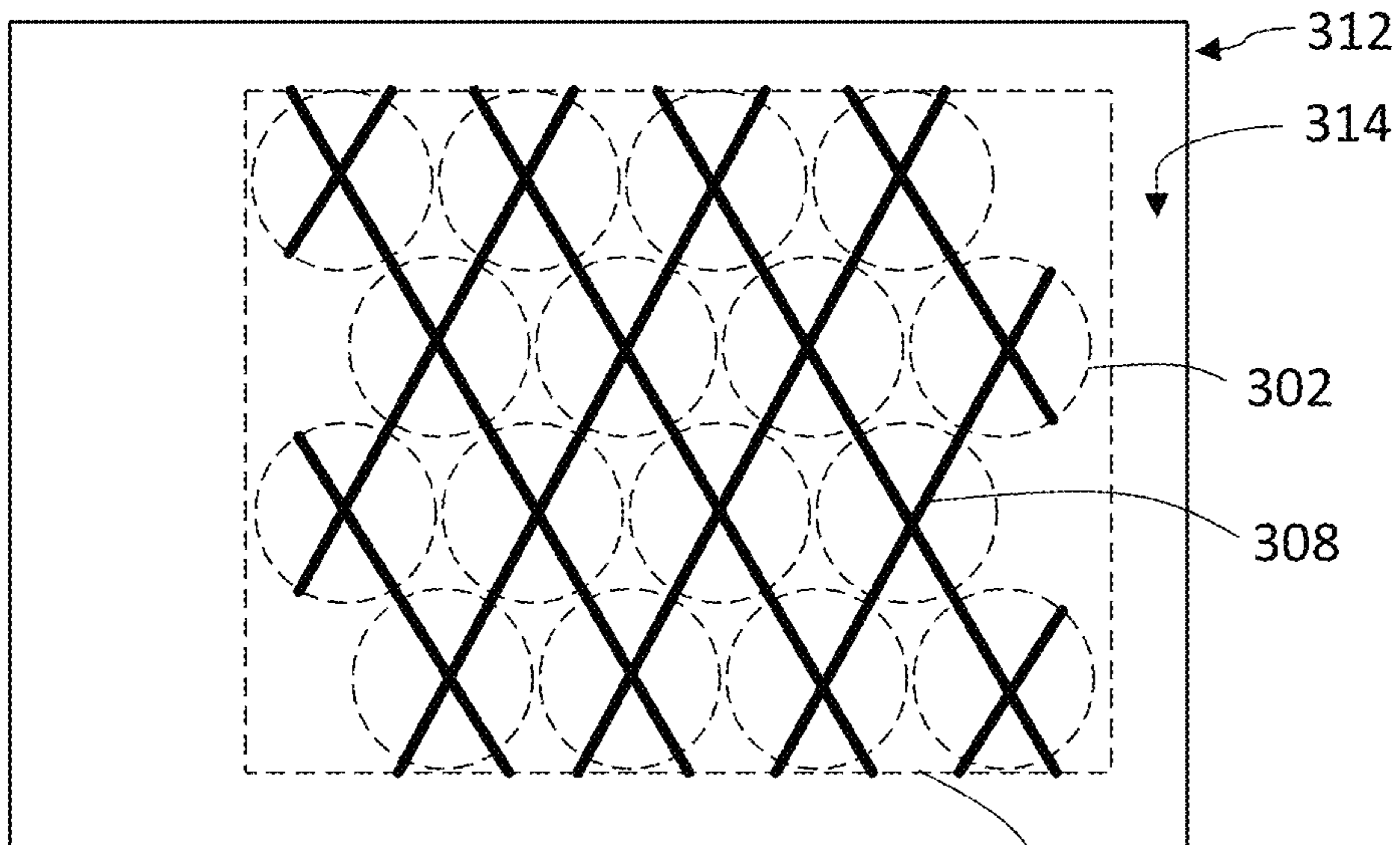


FIG. 3

318

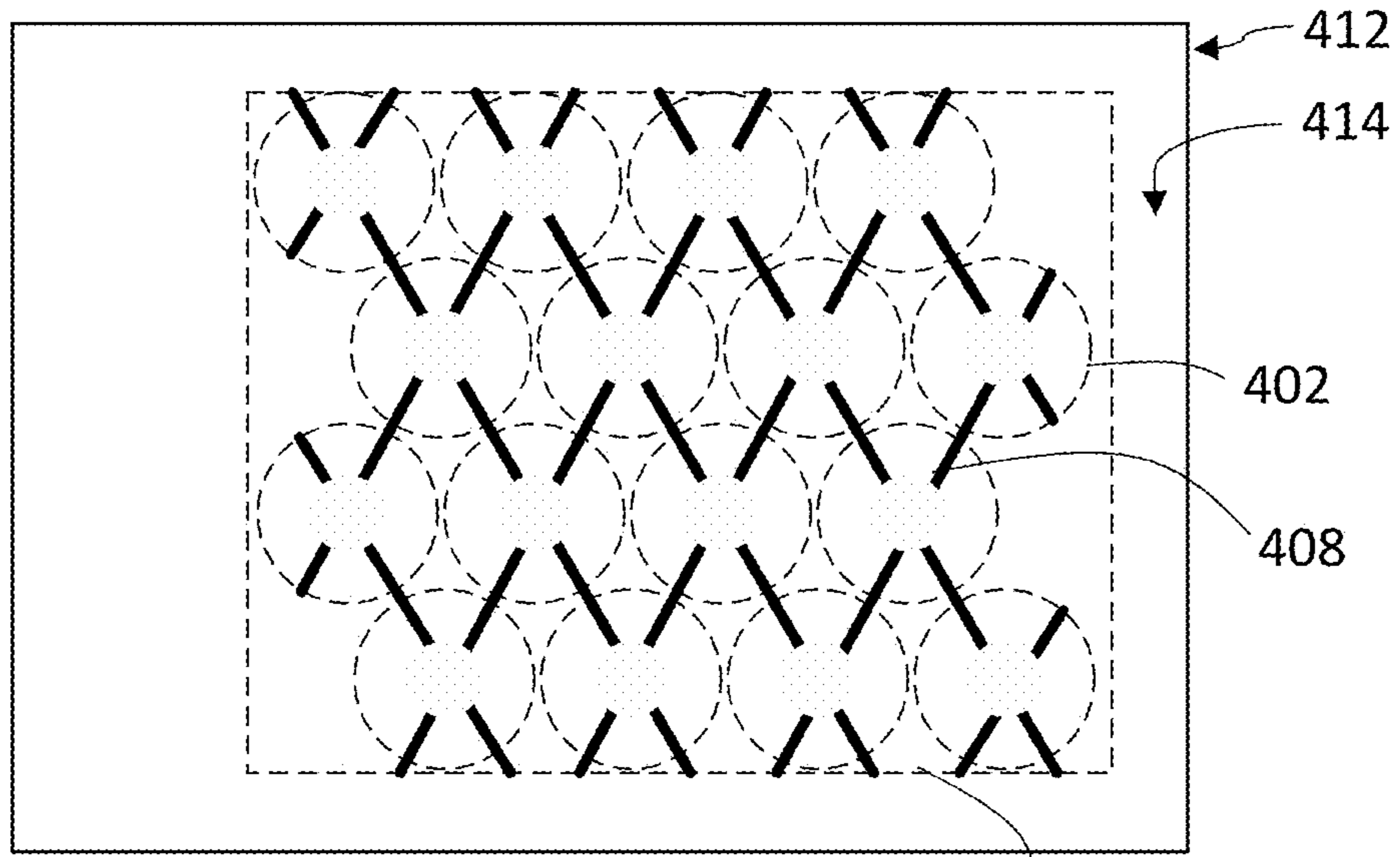


FIG. 4

418

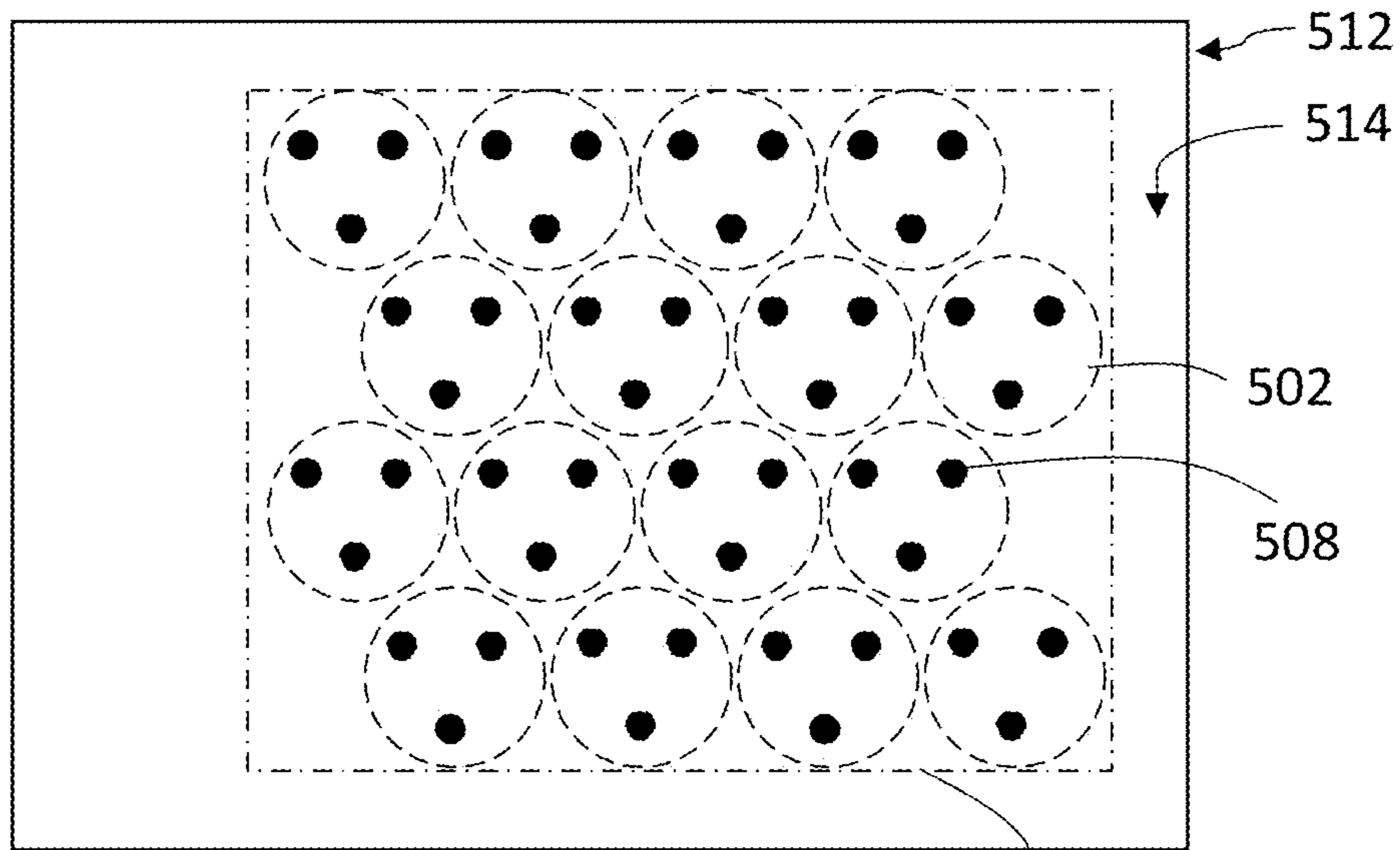


FIG. 5

518

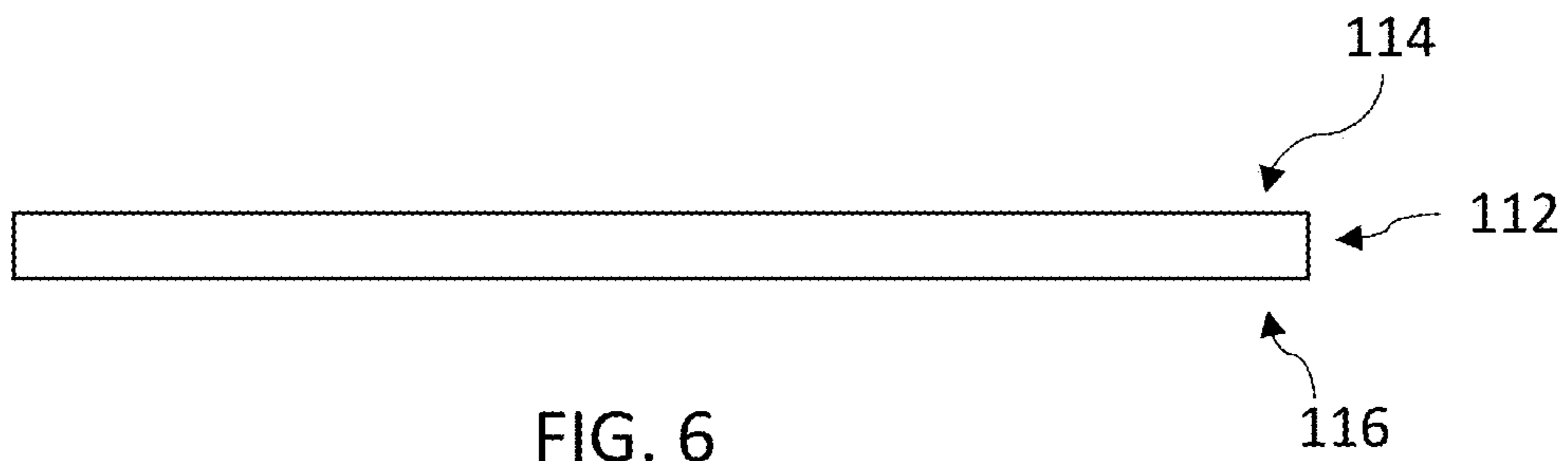


FIG. 6

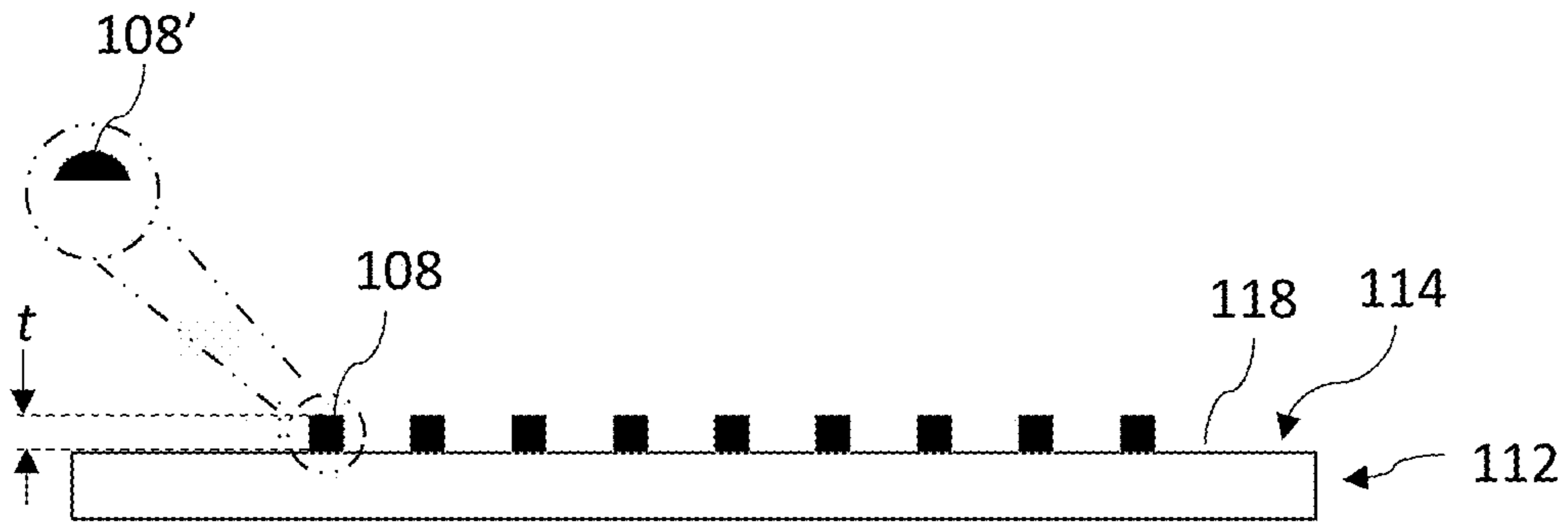


FIG. 7

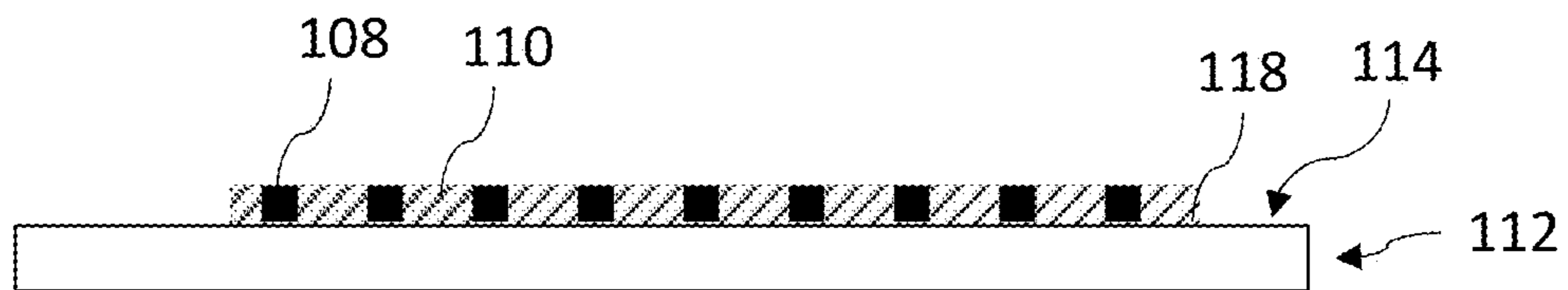
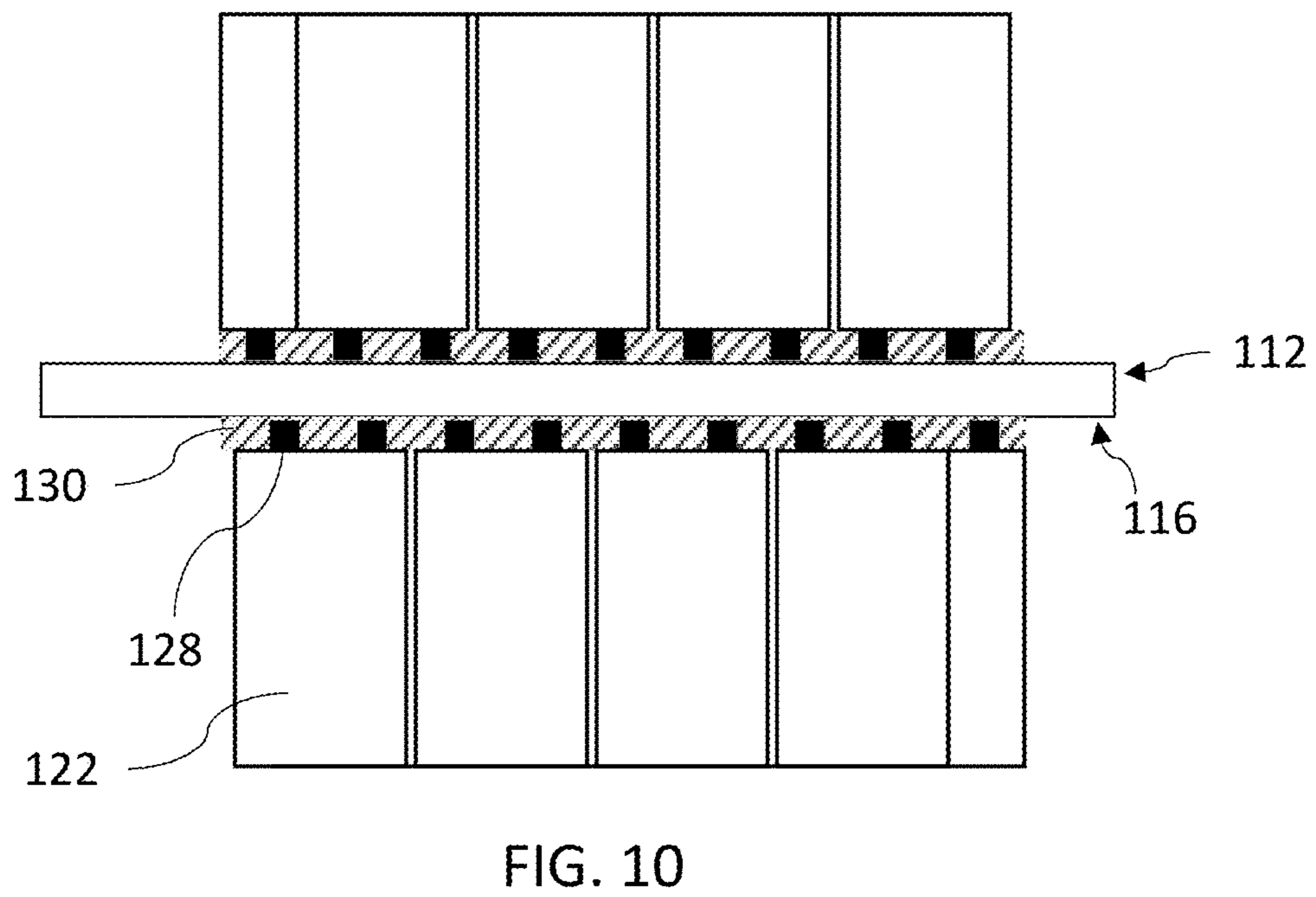
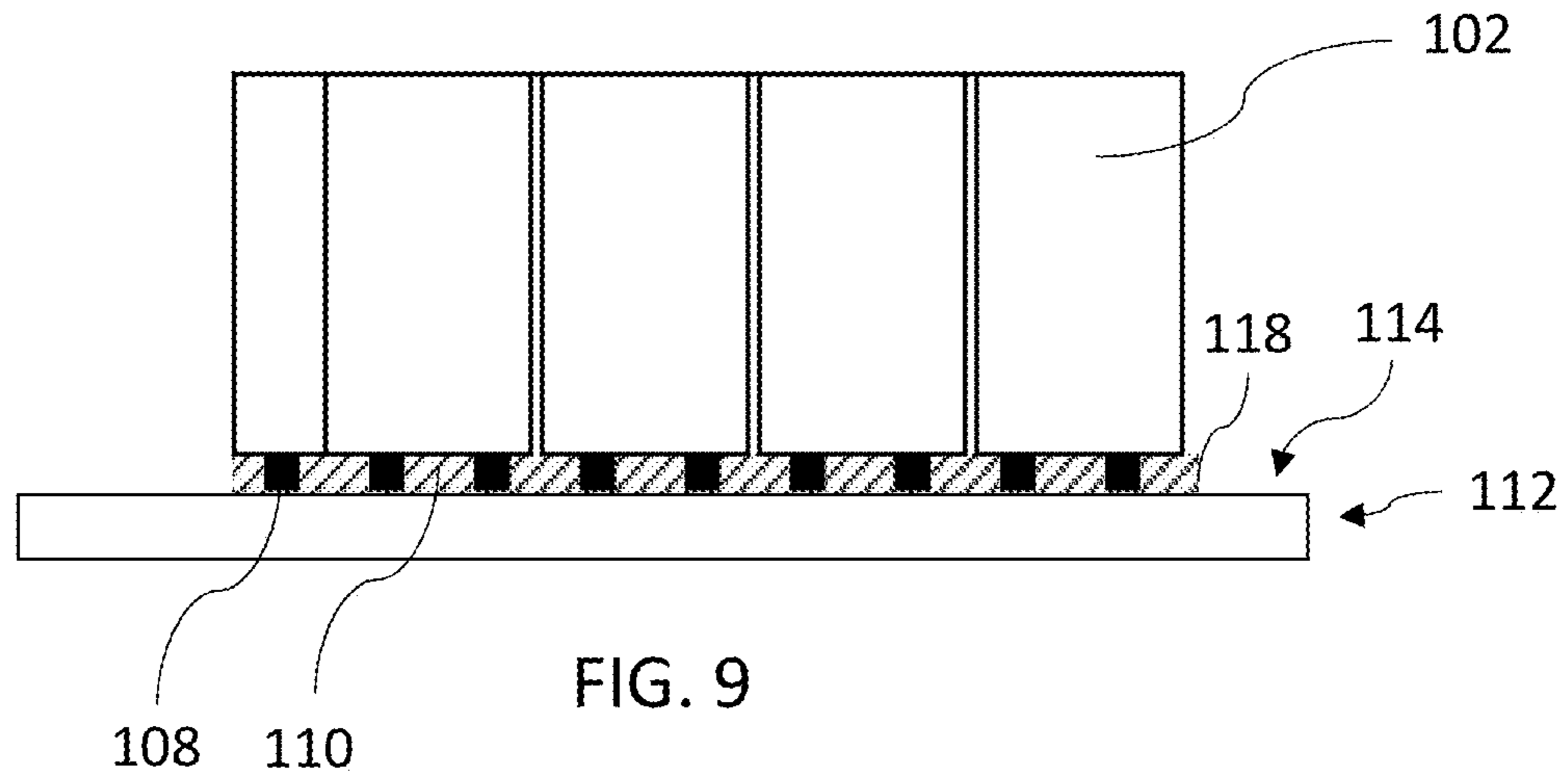
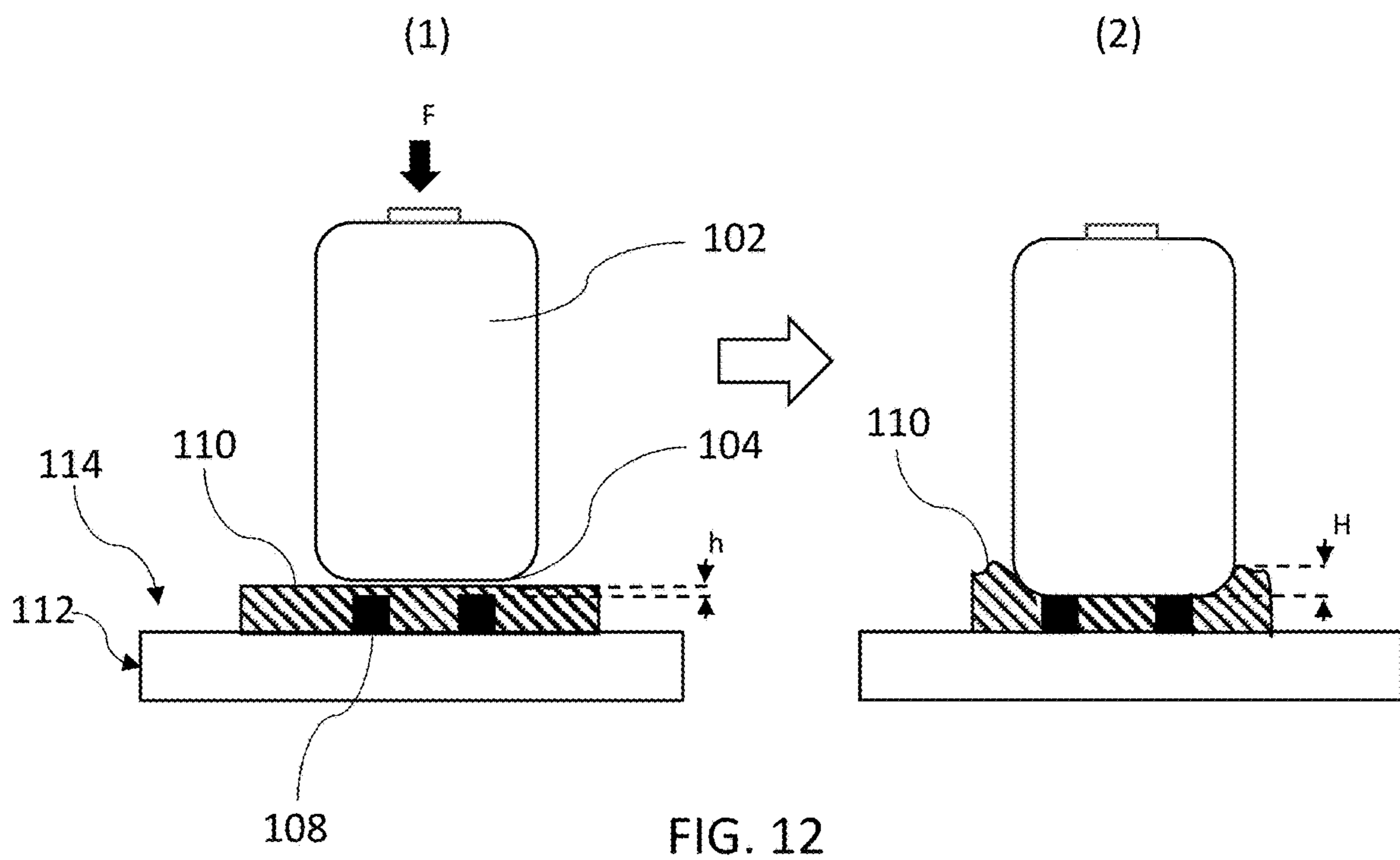
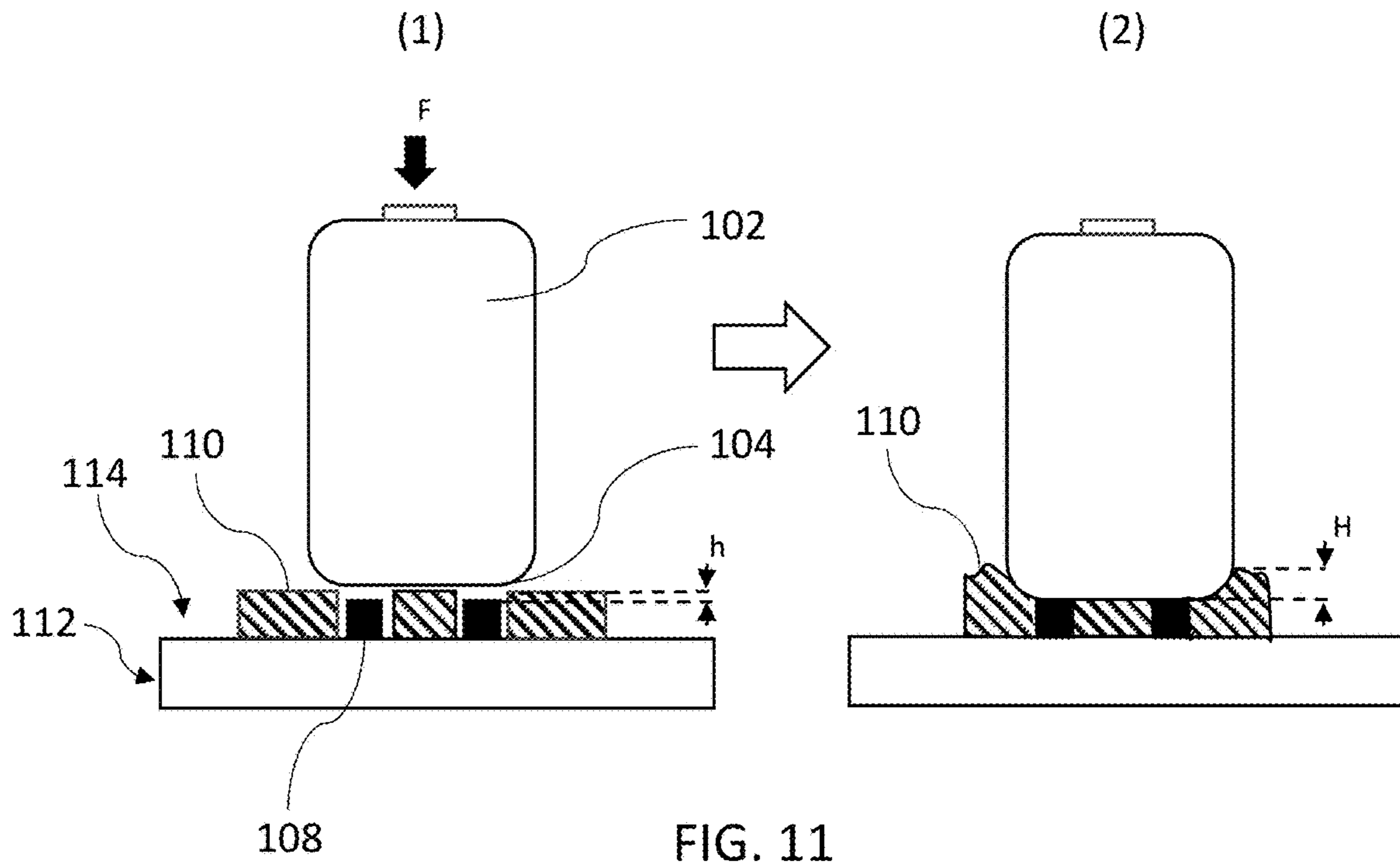


FIG. 8







1

## ADHESIVE BOND SETTING WITH PRE-CURED ADHESIVE STANDOFFS

### SUMMARY

It is advantageous to package battery cells closely in a battery module to provide high energy density battery modules. Cylindrical battery cells may be arranged with the bottom end of each of the battery cells secured to a cooling plate of the battery module using an adhesive. In order to maximize cooling (or heating), it is advantageous to minimize the thickness of the adhesive. However, the thickness of the adhesive must also be thick enough to electrically isolate the battery cells from the cooling plate. Thus, it is advantageous to tightly control the thickness of the adhesive according to the requirements of the battery module. Additionally, to assist in uniform battery cell cooling (or heating), it is advantageous to maintain the uniformity of the distance between the bottom end of each of the battery cells and the cooling plate. It is also advantageous to have the adhesive to be a uniform material with a uniform coefficient of thermal expansion. It is also advantageous to have the adhesive not be impregnated with glass beads or other materials (e.g., for spacing purposes), which are difficult to control tolerances of, which may penetrate a coating of the cooling plate, and which have a different coefficient of thermal expansion from the adhesive. In accordance with some embodiments of the present disclosure, one or more of these advantages are achieved.

In some embodiments of the present disclosure, a battery module and a method of assembling the battery module are provided. The battery module includes a cooling plate having a cooling surface, an adhesive standoff disposed on a first portion of the cooling surface, and a securing adhesive disposed on a second portion of the first cooling surface. The securing adhesive is disposed on the cooling surface after the adhesive standoff is substantially cured. The battery module further includes a plurality of battery cells. A first end of each of the plurality of battery cells is secured to the cooling surface by the securing adhesive. The adhesive standoff maintains the first end of each of the plurality of battery cells a distance away from the cooling surface while the securing adhesive cures.

In some embodiments of the present disclosure, the adhesive standoff and the securing adhesive may be a same adhesive.

In some embodiments of the present disclosure, the adhesive standoff may be arranged in a predetermined pattern, and respective portions of the predetermined pattern under the first end of each of the plurality of battery cells are all the same (e.g., they all have the same arrangement of adhesive).

In some embodiments of the present disclosure, the predetermined pattern may be a plurality of parallel strips of the adhesive standoff, and the arrangement of the adhesive standoff of the respective portions of the predetermined pattern under each battery cell may include exactly two of the plurality of parallel strips.

In some embodiments of the present disclosure, the predetermined pattern may be a plurality of clusters of at least three studs of the adhesive standoff, and the arrangement of the adhesive standoff under each battery cell may include exactly one cluster of the plurality of clusters.

In some embodiments of the present disclosure, the predetermined pattern may be a plurality of strips of the adhesive standoff arranged in a diagonal grid, and the first end of each of the plurality of battery cells may be centered at an origin of a grid crossing of the diagonal grid.

2

In some embodiments of the present disclosure, the adhesive standoff may have a first thickness, and a width of a bottom surface of the predetermined pattern adjacent to the cooling surface may be larger than a width of a top surface, opposite to the bottom surface, of the predetermined pattern.

In some embodiments of the present disclosure, the first plurality of batteries may be arranged in a hexagonal close-packed arrangement, each of the plurality of battery cells may include an exposed region of electrically-active casing that covers the first end and a side of each of the plurality of battery cells, and a dielectric coating on a first side of the cooling plate may form the cooling surface.

In some embodiments of the present disclosure, the adhesive standoff may be a first adhesive standoff, and the securing adhesive may be a first securing adhesive. The battery module may further include a second adhesive standoff disposed on a third portion of the cooling surface, and a second securing adhesive disposed on a fourth portion of the cooling surface. The second securing adhesive may be disposed on the cooling surface after the second adhesive standoff is substantially cured. The battery module may further include a terminal. A bottom surface of the terminal may be secured to the cooling surface by the second securing adhesive, and the second adhesive standoff may maintain the bottom surface of the terminal a distance away from the cooling surface while the adhesive cures.

In some embodiments of the present disclosure, the cooling surface may be a first cooling surface, the adhesive standoff may be a first adhesive standoff, the securing adhesive may be a first securing adhesive, the plurality of battery cells may be a first plurality of battery cells, and the cooling plate may further include a second cooling surface, opposite to the first cooling surface. The battery module may further include a second adhesive standoff disposed on a first portion of the second cooling surface, and a second securing adhesive disposed on a second portion of the second cooling surface. The second securing adhesive may be disposed on the second cooling surface after the second adhesive standoff is substantially cured. The battery module may further include a second plurality of battery cells. A first end of each of the second plurality of battery cells may be secured to the second cooling surface by the second securing adhesive, and the second adhesive standoff may maintain the first end of each of the second plurality of battery cells a distance away from the second cooling surface while the adhesive cures.

In some embodiments, a method of assembling a battery module is provided. The method may include providing a cooling plate having a cooling surface and providing an adhesive standoff on a first portion of the cooling surface. The method may further include providing, after the adhesive standoff is substantially cured, a securing adhesive on a second portion of the cooling surface, providing a plurality of battery cells, and pressing, before the securing adhesive is cured, a first end of each of the plurality of battery cells into the securing adhesive. The substantially cured adhesive standoff maintains the first end of each of the plurality of battery cells at a distance away from the cooling surface while the securing adhesive cures. The method may further include curing the securing adhesive to secure the plurality of battery cells to the cooling surface.

### BRIEF DESCRIPTION OF THE DRAWINGS

The present disclosure, in accordance with one or more various embodiments, is described in detail with reference to the following figures. The drawings are provided for purposes of illustration only and merely depict typical or

example embodiments. These drawings are provided to facilitate an understanding of the concepts disclosed herein and shall not be considered limiting of the breadth, scope, or applicability of these concepts. It should be noted that for clarity and ease of illustration these drawings are not necessarily made to scale.

FIG. 1A shows a view of a battery module, in accordance with some embodiments of the present disclosure;

FIG. 1B shows a top view of an adhesive standoff disposed on a first cooling surface of a cooling plate, in accordance with some embodiments of the present disclosure;

FIG. 2 shows a top view of an adhesive standoff disposed on a first cooling surface of a cooling plate, in accordance with some embodiments of the present disclosure;

FIG. 3 shows a top view of an adhesive standoff disposed on a first cooling surface of a cooling plate, in accordance with some embodiments of the present disclosure;

FIG. 4 shows a top view of an adhesive standoff disposed on a first cooling surface of a cooling plate, in accordance with some embodiments of the present disclosure;

FIG. 5 shows a top view of an adhesive standoff disposed on a first cooling surface of a cooling plate, in accordance with some embodiments of the present disclosure;

FIG. 6 shows a side view of a battery module assembly having a cooling plate, in accordance with some embodiments of the present disclosure;

FIG. 7 shows a side view of the battery module assembly of FIG. 6, following providing of an adhesive standoff on a first cooling surface of the cooling plate, in accordance with some embodiments of the present disclosure;

FIG. 8 shows a side view of the battery module assembly of FIG. 7, following providing of an adhesive on a first cooling surface of the cooling plate, in accordance with some embodiments of the present disclosure;

FIG. 9 shows a side view of the battery module assembly of FIG. 8, following providing a first plurality of battery cells on the adhesive, in accordance with some embodiments of the present disclosure;

FIG. 10 shows a side view of the battery module assembly of FIG. 9, following providing a second plurality of battery cells on a second cooling surface of the cooling plate, in accordance with some embodiments of the present disclosure;

FIG. 11 shows a partial side view of the battery module assembly of FIGS. 8 and 9, in accordance with some embodiments of the present disclosure;

FIG. 12 shows a partial side view of the battery module assembly of FIGS. 8 and 9, in accordance with some embodiments of the present disclosure;

FIG. 13A shows a view of a battery module, in accordance with some embodiments of the present disclosure; and

FIG. 13B shows a top view of an adhesive standoff disposed on a first cooling surface of a cooling plate, in accordance with some embodiments of the present disclosure.

#### DETAILED DESCRIPTION

In view of the foregoing, and in accordance with some embodiments of the present disclosure, it would be advantageous to provide and easily manufacture a battery module in which the distance between a plurality of battery cells and a cooling plate are tightly controlled, thereby ensuring consistent cooling (or heating) of the plurality of battery cells.

Systems and methods are disclosed herein that provide an improved battery module. FIG. 1A shows a view of a battery module **100**, in accordance with some embodiments of the present disclosure. As shown, the battery module **100** includes a first plurality of battery cells **102**. Each of the battery cells **102** may be cylindrical and may have a first end **104** comprising a first electrical terminal and a second end **106** having a second electrical terminal **107** (e.g., a center button terminal). In some embodiments of the present disclosure, each of the battery cells **102** may have an exposed region of electrically-active casing or a conductive jacket that covers at least a portion of the first end **104** and side of each battery cell **102**, forming the first electrical terminal. To increase packing density, the battery cells **102** may be arranged in rows that are offset from each other (e.g., in a hexagonal close-packed arrangement). In some embodiments of the present disclosure, each adjacent pair of the battery cells **102** may be 1.5 mm apart or less. Groups of the battery cells **102** may be electrically connected in series or parallel using one or more busbars (not shown for simplicity); in some cases, one subgroup of battery cells **102** connected in parallel may be connected to another subgroup of battery cells **102** in series. It should be understood that there may be any suitable number of the battery cells **102**.

The battery module **100** may further include a thermal transfer plate, e.g., a cooling plate **112**, as shown. In some embodiments of the present disclosure, the cooling plate **112** may be used to selectively cool (or heat) the battery module **100**. In some embodiments of the present disclosure, the cooling plate **112** may have one or more channels for cooling/heating fluid to travel through. In some embodiments of the present disclosure, the cooling plate **112** may be composed of an electrically conductive material (e.g., metal such as aluminum). In some embodiments, in order to reduce the likelihood of an electrical short between the battery cells **102** and a first cooling surface **114**, the first cooling surface **114** may comprise a dielectric coating. The cooling plate **112** may have a second cooling surface **116**, opposite to the first cooling surface **114**, which may also comprise a dielectric coating.

As shown, the battery cells **102** may be spaced apart from the first cooling surface **114** by an adhesive standoff **108** having a first thickness  $t$ . As more clearly shown in FIG. 1B, the adhesive standoff **108** is arranged in a predetermined pattern that corresponds to a predetermined arrangement (e.g., the hexagonal close-packed arrangement) of the battery cells **102**. The battery cells **102** may then be secured to the first cooling surface **114** by a securing adhesive **110**. In order to maintain the battery cells **102** at a distance  $D$  from the first cooling surface **114**, which is greater than or equal to the first thickness  $t$  of the adhesive standoff **108**, the adhesive standoff **108** may be substantially cured (e.g., pre-cured) before either of the battery cells **102** or the securing adhesive **110** are added to the battery module **100**.

In some embodiments of the present disclosure, the adhesive standoff **108** and the securing adhesive **110** may be the same adhesive (e.g., have the same chemical formula). The electrical, thermal, and mechanical properties of the adhesives of the present disclosure may correspond to the engineering and manufacturing requirements associated with the battery module **100**. Aside from coupling the battery cells **102** to the first cooling surface, the adhesive of the securing adhesive **110** (and the adhesive standoff **108**) may have three primary requirements. First, the adhesive should be able to move thermal masses quickly so that the temperature of the battery cells **102** may be controlled quickly (e.g., by a coolant pump pumping coolant through channels within the

5

cooling plate 112). Second, the adhesive should maintain electrical isolation between the battery cells 102 and the cooling plate 112. Third, the adhesive should maintain electrical isolation between each of the battery cells 102 themselves. To meet the second and third requirements, the adhesive should have sufficient dielectric properties. It may be advantageous to minimize the thickness of the securing adhesive 110 to increase the cooling effect from the cooling plate 112 on the first ends 104 of the battery cells 102. It may also be advantageous to minimize the thickness of the securing adhesive 110 for space-saving purposes. However, the securing adhesive 110 should also be thick enough to account for worst-case tolerance stack-up, high voltage isolation requirements, and electrical or thermal insulation requirements of the battery module 100. Because the securing adhesive 110 is not required to be impregnated with glass beads or other materials, which may penetrate the dielectric coating of the cooling plate 112 and which may generally have wide tolerances, the thickness of the securing adhesive 110 may be tightly controlled, without compromising the electrical isolation between the battery cells 102 and the cooling plate 112. It may also be advantageous to maintain the uniformity of the thickness of the securing adhesive 110 in order to ensure that the battery cells 102 are uniformly cooled (or heated).

As shown, the first end 104 of each of the battery cells 102 is secured to the first cooling surface 114 of the cooling plate 112 through the securing adhesive 110. In some embodiments of the present disclosure, as described in greater detail below, each of the battery cells 102 may be equally spaced from the first cooling surface 114 by the securing adhesive standoff 108. However, it may also be advantageous to space some of the battery cells 102 at different distances from the first cooling surface 114 if the cooling plate 112 is not able to perform uniform cooling (or heating). For example, battery cells 102 positioned directly above a cooling channel in the cooling plate 112 may be spaced farther away from the first cooling surface 114 by the adhesive standoff 108 than battery cells positioned away from a cooling channel in the cooling plate 112. It will be understood that if different standoff heights were used, then other components of the battery module (e.g., busbars or shrouds) may be shaped to accommodate the different stack-up height of the battery cells.

As described above, the predetermined pattern of the adhesive standoff 108 may be the same adhesive as the securing adhesive 110, but may be substantially cured before the battery cells 102 or the securing adhesive 110 are disposed on the cooling plate 112, so as to act as a standoff that maintains the first end 104 of each of the battery cells 102 the distance D away from the first cooling surface 114 while the securing adhesive 110 cures and thermally and structurally couples the battery cells 102 to the first cooling surface 114. The adhesive of the adhesive standoff 108 may be arranged in any pattern that supports the battery cells 102. However, it may be advantageous to reduce or minimize the contact area between the adhesive standoff 108 and the battery cells 102 so as to increase or maximize the securing of the battery cells 102 to the first cooling surface 114 by the securing adhesive 110.

FIG. 1B shows a top view of the adhesive standoff 108 disposed on a first portion of the first cooling surface 114 of the cooling plate 112, in accordance with some embodiments of the present disclosure. As shown, the adhesive standoff 108 is arranged in a predetermined pattern that corresponds to the predetermined arrangement (e.g., the hexagonal close-packed arrangement) of the battery cells

6

102. For example, the adhesive standoff 108 is arranged as a plurality of parallel strips of adhesive, perpendicular to the rows of the battery cells 102 and in a regular pattern (e.g., within a battery mounting region 118 on the first cooling surface 114), so that the first end 104 of each of the battery cells 102 is supported by exactly two of the adhesive strips. As shown, respective portions of the predetermined pattern that support the first end 104 of each of the battery cells 102 may have the same adhesive arrangement. However, this pattern is only one embodiment, and the adhesive standoff 108 may be arranged in any pattern that sufficiently supports the battery cells 102. For example, the adhesive standoff 108 may be arranged in any of the patterns shown in FIGS. 2-5.

FIG. 2 shows a top view of an adhesive standoff 208 disposed on a first portion of a first cooling surface 214 of a cooling plate 212, in accordance with some embodiments of the present disclosure. As shown, the adhesive standoff 208 is arranged in a predetermined pattern that corresponds to the predetermined arrangement (e.g., the hexagonal close-packed arrangement) of battery cells 202. For example, the adhesive standoff 208 is arranged as a plurality of parallel strips of adhesive, transversal to the rows of the battery cells 202 (e.g., at an angle of 60° with respect to the rows of battery cells 202) and in a regular pattern (e.g., within a battery mounting region 218 on the first cooling surface 214), so that a first end of each of the battery cells 202 is supported by exactly two of the adhesive strips. As shown, respective portions of the predetermined pattern that support the first end of each of the battery cells 202 may have the same adhesive arrangement.

FIG. 3 shows a top view of an adhesive standoff 308 disposed on a first portion of a first cooling surface 314 of a cooling plate 312, in accordance with some embodiments of the present disclosure. As shown, the adhesive standoff 308 is arranged in a predetermined pattern that corresponds to the predetermined arrangement (e.g., the hexagonal close-packed arrangement) of battery cells 302. For example, the adhesive standoff 308 is arranged as a plurality of strips of adhesive arranged in a diagonal grid (e.g., within a battery mounting region 318 on the first cooling surface 314), so that a first end of each of the battery cells 302 is centered at an origin of each grid crossing. As shown, respective portions of the predetermined pattern that support the first end of each of the battery cells 302 may have the same adhesive arrangement.

FIG. 4 shows a top view of an adhesive standoff 408 disposed on a first portion of a first cooling surface 414 of a cooling plate 412, in accordance with some embodiments of the present disclosure. As shown the adhesive standoff 408 is arranged in a predetermined pattern that corresponds to the predetermined arrangement (e.g., the hexagonal close-packed arrangement) of battery cells 402. For example, similar to FIG. 3, the adhesive standoff 408 is arranged as a plurality of strips of adhesive arranged in a diagonal grid (e.g., within a battery mounting region 418 on the first cooling surface 414), except that an origin of each grid crossing is omitted and a first end of each of the battery cells 402 is centered at where the origin of each grid crossing would be. As shown, respective portions of the predetermined pattern that support the first end of each of the battery cells 402 may have the same adhesive arrangement.

FIG. 5 shows a top view of an adhesive standoff 508 disposed on a first portion of a first cooling surface 514 of a cooling plate 512, in accordance with some embodiments of the present disclosure. As shown the adhesive standoff 508 is arranged in a predetermined pattern that corresponds to the predetermined arrangement (e.g., the hexagonal close-

packed arrangement) of battery cells **502**. For example, the adhesive standoff **508** is arranged as a plurality of clusters each comprised of three studs of adhesive (e.g., dot-shaped) arranged in a regular pattern (e.g., within a battery mounting region **518** on the first cooling surface **514**), so that of each of the battery cells **502** is supported by a cluster of studs. As shown, respective portions of the predetermined pattern that support a first end of each of the battery cells **502**, may have the same adhesive arrangement. Although three studs of adhesive per cluster are shown, this is merely illustrative, and each cluster may comprise more than three studs of adhesive.

It will be understood that the adhesive standoff arrangements of FIGS. 1B-5 may have different advantages and the particular arrangement chosen for a particular application may be selected based on a variety of needs or factors. For example, the arrangement of FIG. 5 may minimize the contact surface between the battery cells and the adhesive standoff, which increases the contact surface for the securing adhesive. As another example, the adhesive standoff pattern of FIG. 3 may evenly direct extra securing adhesive to the cylindrical sides of the battery cells. As another example, the vertical adhesive standoff lines of FIG. 1B and FIG. 2 may be easily applied to the cooling surface with a uniform height.

FIGS. 6-9 show a series of steps in a process for assembling a battery module **100**, in accordance with some embodiments of the present disclosure. Each of the battery module components used in assembling the battery module **100** and described in the present disclosure may be provided by manufacturing or assembling the component itself, or by obtaining the component from a supply of components.

FIG. 6 is a side view of the cooling plate **112**. In some embodiments of the present disclosure, as set forth above, the first cooling surface **114** and the second cooling surface **116** may comprise a thin dielectric coating applied to each of the top surface and the bottom surface of the cooling plate **112**.

FIG. 7 shows the battery module assembly of FIG. 6, following the disposing of the adhesive standoff **108** on the first portion of the first cooling surface **114**. As illustrated, the adhesive standoff **108** is disposed within the battery mounting region **118** on the first portion of the first cooling surface **114**. The adhesive standoff **108** has a thickness  $t$ . In accordance with some embodiments of the present application, the thickness  $t$  may be 85  $\mu\text{m}$ -115  $\mu\text{m}$ . However, this is only one embodiment and the thickness  $t$  may be optimized for any configuration of the battery module **100**. In the embodiment illustrated in FIG. 6, the adhesive of the adhesive standoff **108** is arranged as a plurality of parallel lines in a regular pattern (e.g., FIG. 1B). However, this is only an example and the adhesive may be arranged in any arrangement which supports the battery cells **102** (e.g., FIGS. 2-5).

As shown, each of the strips of the adhesive standoff **108** has a rectangular cross-section. However, it may be advantageous to minimize the thickness at the top and/or the bottom of each strip of adhesive. For example, each strip of adhesive of the adhesive standoff **108** may alternatively have the semicircular cross-section **108'** shown in FIG. 7. However, this is only an example, and each strip of adhesive of the adhesive standoff **108** may have any shaped cross section which supports the battery cells **102** (e.g., triangular, circular, etc.).

The adhesive standoff **108** may be disposed on the first portion of the first cooling surface **114** in a variety of ways. For example, in some embodiments of the present disclosure, the adhesive standoff **108** may be disposed on the first

portion of the first cooling surface **114** by three-dimensional (3D) printing the adhesive standoff **108** on the first cooling surface **114**. In some embodiments of the present disclosure, the adhesive standoff **108** may be disposed on the first portion of the first cooling surface **114** by extruding the adhesive standoff **108** on the first cooling surface **114**. In some embodiments of the present disclosure, the adhesive standoff **108** may be cut from a pre-cured sheet of adhesive and disposed on the first portion of the first cooling surface **114**. In some embodiments of the present disclosure, an adhesive sheet may be disposed on the first cooling surface **114** and a portion of the adhesive sheet may be etched away to form the adhesive standoff **108** on the first portion of the first cooling surface **114**. However, these embodiments are merely exemplary, and any method which allows the first thickness  $t$  of the adhesive standoff **108** to be controlled (e.g., tightly controlled) may be used.

FIG. 8 shows the battery module assembly of FIG. 7, following the disposing of the securing adhesive **110** on a second portion of the first cooling surface **114**, after the adhesive standoff **108** is substantially cured. As shown, in some embodiments of the present disclosure, the securing adhesive **110** may be disposed on a portion of the battery mounting region **118** not covered by the adhesive standoff **108** (e.g., corresponding to a planned placement of the first end **104** of the battery cells **102**). In some embodiments of the present disclosure, the securing adhesive **110** may also be disposed on the adhesive standoff **108**. In order to ensure that the securing adhesive **110** firmly secures battery cells **102** to the first cooling surface **114**, the adhesive of the securing adhesive **110** may be disposed to have a thickness that is greater than the thickness  $t$  of the substantially cured adhesive standoff **108**, as shown in greater detail in FIGS. 11 and 12.

FIG. 9 shows the battery module assembly of FIG. 8, following the disposing of the plurality of battery cells **102** on the securing adhesive **110**, before the securing adhesive **110** is cured. As shown, the battery cells **102** are aligned with the adhesive standoff **108** and pressed down in the securing adhesive **110** towards the first cooling surface **114** until the first end **104** of the battery cells **102** are substantially supported by the adhesive standoff **108**, as shown in greater detail in FIGS. 11 and 12. After the battery cells **102** are substantially supported by the adhesive standoff **108**, the securing adhesive **110** is cured. That is, the adhesive standoff **108** maintains the first end **104** of each of the battery cells **102** at the distance  $D$  away from the first cooling surface **114** while the securing adhesive cures.

FIG. 10 shows the battery module assembly of FIG. 9, following the disposing of a second adhesive standoff **128**, a second securing adhesive **130**, and a second plurality of battery cells **122** on the second cooling surface **116**, opposite the first cooling surface **114**, of the cooling plate **112**. The disposing of the second adhesive standoff **128**, the second securing adhesive **130**, and the second plurality of battery cells **122** may be substantially similar to the process described above in FIGS. 6-9, and is therefore not reproduced herein. It will be understood that cooling plate **112** may be turned over prior to applying the second adhesive standoff **128**, the second securing adhesive **130**, and the second plurality of battery cells **122**.

FIG. 11 shows a partial side view of the process described in FIGS. 8-9, in accordance with some embodiments of the present disclosure. As shown in (1) of FIG. 11, the securing adhesive **110** is disposed on either side of (e.g., between) each of the substantially cured strips of the adhesive standoff **108**. In order to ensure that there are no gaps in the adhesive

between the first end **104** of each of the battery cells **102** and the first cooling surface **114** of the cooling plate **112**, the securing adhesive **110** may be disposed so as to have a greater height  $h$  than the substantially cured adhesive standoff **108**. Thus, when the battery cells **102** are pushed towards the first cooling surface **114** by a force  $F$ , the battery cells **102** displace the securing adhesive **110** until the adhesive standoff **108** stops the movement of the battery cells **102** toward the first cooling surface **114** by acting as a standoff to maintain the battery cells **102** at the distance  $D$  from the first cooling surface **114**.

As shown in (2) of FIG. **11**, although a negligible amount of the securing adhesive **110** may remain between the top of the adhesive standoff **108** and the first end **104** of each of the battery cells **102** when the battery cells **102** are pushed by a force  $F$ , the majority of the extra adhesive of the securing adhesive **110** may be pushed up around the battery cells **102** so that the height of portions of the securing adhesive **110** may rise above the adhesive standoff by a distance  $H$ , and the thickness  $t$  of the adhesive standoff **108** may correspond to the distance  $D$  between the first end **104** of each of the battery cells **102** and the first cooling surface **114**. The extra adhesive of the securing adhesive **110** may also be pushed out to the sides of the arrangement of the battery cells **102**. In some embodiments, the securing adhesive **110** may also be applied to the first ends **104** of the battery cells **102** instead of (or in addition to) being applied to the first cooling surface **114**. As shown, the ends of the battery cells **102** may be rounded.

FIG. **12** shows a partial side view of the process described in FIGS. **8-9**, in accordance with some embodiments of the present disclosure. The process in FIG. **12** is similar to the process in FIG. **11**, except that instead of only disposing the securing adhesive **110** on either side of each of the substantially cured strips of the adhesive standoff **108** ((1) of FIG. **11**), the securing adhesive **110** is also disposed on top of each of the substantially cured strips of the adhesive standoff **108** ((1) of FIG. **12**). As shown, similar to FIG. **11**, the securing adhesive **110** may be disposed so as to have a greater height  $h$  than the substantially cured adhesive standoff **108**. As shown in (2) of FIG. **12**, when the battery cells **102** are pushed toward the first cooling surface **114** of the cooling plate **112** by a force  $F$ , the battery cells **102** displace the extra adhesive of the securing adhesive **110** in a similar manner described with respect to FIG. **11**.

FIG. **13A** shows a view of a battery module **1300**, in accordance with some embodiments of the present disclosure. The battery module **1300** is similar to the battery module **100** in FIG. **1**, except that the battery module **1300** also may additionally include a terminal **1322** secured to a first cooling surface **1314** of a cooling plate **1312**. The terminal **1322** may be electrically connected to a plurality of battery cells **1302** through, e.g., busbars. Similar to the battery module **100** in FIG. **1**, the battery cells **1302** may be spaced from the first cooling surface **1314** by a predetermined pattern of a first adhesive standoff **1308** having a first thickness, and secured to the first cooling surface **1314** by a first securing adhesive **1310**.

The terminal **1322** may be spaced from the first cooling surface **1314** by a second adhesive standoff **1328** having a second thickness. As more clearly shown in FIG. **13B**, the second adhesive standoff **1328** is arranged in a predetermined pattern that corresponds to the shape of a bottom surface **1324** of the terminal **1322**. The terminal **1322** may then be secured to the first cooling surface **1314** by a second securing adhesive **1330**. In order to maintain the terminal **1322** at a distance  $D'$  from the first cooling surface **1314**,

which corresponds to the second thickness of the second adhesive standoff **1328**, the second adhesive standoff **1328** may be substantially cured (e.g., pre-cured) before either of the terminal **1322** or the second securing adhesive **1328** are added to the battery module **1300**.

FIG. **13B** shows a top view of the first adhesive standoff **1308** disposed on a first portion of the first cooling surface **1314**, and the second adhesive standoff **1328** disposed on a second portion of the first cooling surface **1314**, in accordance with some embodiments of the present disclosure. As shown, the first adhesive standoff **1308** is arranged in a first predetermined pattern that corresponds to a predetermined arrangement (e.g., a hexagonal close-packed arrangement) of the battery cells **1302**, and the second adhesive standoff **1328** is arranged in a second predetermined pattern that corresponds to the shape of the bottom surface **1324** of the terminal **1322**. For example, the second adhesive standoff **1328** is arranged as two parallel strips of adhesive, so that the terminal **1322** is equally supported by the two parallel adhesive strips. However, this pattern is only one embodiment and the second adhesive standoff **1328** may be arranged in any pattern that sufficiently supports the terminal **1322**.

The first adhesive standoff **1308** and the second adhesive standoff **1328** may have different thicknesses, which may correspond to the cooling requirements of the respective supported components. In some embodiments of the present disclosure, the second adhesive standoff **1328** and the second securing adhesive **1330** may be the same adhesive. The adhesive's electrical, thermal, and mechanical properties may correspond to the engineering and manufacturing requirements associated with the battery module **1300** and may be selected for reasons similar to those described with respect to FIG. **1**. In some embodiments of the present disclosure, the first adhesive standoff **1308** and the second adhesive standoff **1328** may be cut from the same pre-cured adhesive sheet having the desired thicknesses for the respective supported components.

The foregoing is merely illustrative of the principles of this disclosure and various modifications may be made by those skilled in the art without departing from the scope of this disclosure. The above described embodiments are presented for purposes of illustration and not of limitation. The present disclosure also can take many forms other than those explicitly described herein. Accordingly, it is emphasized that this disclosure is not limited to the explicitly disclosed methods, systems, and apparatuses, but is intended to include variations to and modifications thereof, which are within the spirit of the following claims.

What is claimed is:

1. A battery module comprising:

- a cooling plate having a cooling surface;
- an adhesive standoff disposed on the cooling surface;
- a securing adhesive disposed on the cooling surface, wherein the securing adhesive is disposed on the cooling surface after the adhesive standoff is substantially cured; and
- a plurality of battery cells, wherein a first end of each of the plurality of battery cells is secured to the cooling surface by the securing adhesive, and wherein the adhesive standoff maintains the first end of each of the plurality of battery cells a distance away from the cooling surface while the securing adhesive cures, wherein the adhesive standoff is arranged in a predetermined pattern that is different than the arrangement of the securing adhesive.

## 11

2. The battery module of claim 1, wherein the adhesive standoff and the securing adhesive have a same chemical formula.

3. The battery module of claim 1, wherein respective portions of the predetermined pattern that maintain the first end of each of the plurality of battery cells the distance away from the cooling surface have a same arrangement of the adhesive standoff.

4. The battery module of claim 3, wherein the predetermined pattern is a plurality of parallel strips of the adhesive standoff, and

wherein the arrangement of the adhesive standoff of the respective portions of the predetermined pattern comprises exactly two of the plurality of parallel strips.

5. The battery module of claim 3, wherein the predetermined pattern is a plurality of clusters of at least three studs of the adhesive standoff, and

wherein the arrangement of the adhesive standoff of the respective portions of the predetermined pattern comprises exactly one cluster of the plurality of clusters.

6. The battery module of claim 3, wherein the predetermined pattern is a plurality of strips of the adhesive standoff arranged in a diagonal grid, and

wherein the first end of each of the plurality of battery cells is centered at an origin of a grid crossing of the diagonal grid.

7. The battery module of claim 3, wherein the adhesive standoff has a first thickness, and

wherein a width of a bottom surface of the predetermined pattern adjacent to the cooling surface is larger than a width of a top surface, opposite to the bottom surface, of the predetermined pattern.

8. The battery module of claim 1, wherein the plurality of battery cells is arranged in a hexagonal close-packed arrangement,

wherein each of the plurality of battery cells comprises an exposed region of electrically-active casing that covers the first end and a side of each of the plurality of battery cells, and

wherein a dielectric coating on a first side of the cooling plate forms the cooling surface.

9. The battery module of claim 1, wherein the adhesive standoff is a first adhesive standoff,

wherein the securing adhesive is a first securing adhesive, and

wherein the battery module further comprises:

a second adhesive standoff disposed on the cooling surface;

a second securing adhesive disposed on the cooling surface, wherein the second securing adhesive is disposed on the cooling surface after the second adhesive standoff is substantially cured; and

a terminal, wherein a bottom surface of the terminal is secured to the cooling surface by the second securing adhesive, and wherein the second adhesive standoff maintains the bottom surface of the terminal a distance away from the cooling surface while the second securing adhesive cures.

10. The battery module of claim 1, wherein the cooling surface is a first cooling surface,

wherein the adhesive standoff is a first adhesive standoff, wherein the securing adhesive is a first securing adhesive, wherein the plurality of battery cells is a first plurality of battery cells,

wherein the cooling plate further comprises a second cooling surface, opposite to the first cooling surface, and

## 12

wherein the battery module further comprises:

a second adhesive standoff disposed on the second cooling surface;

a second securing adhesive disposed on the second cooling surface, wherein the second securing adhesive is disposed on the second cooling surface after the second adhesive standoff is substantially cured; and

a second plurality of battery cells, wherein a first end of each of the second plurality of battery cells is secured to the second cooling surface by the second securing adhesive, and wherein the second adhesive standoff maintains the first end of each of the second plurality of battery cells a distance away from the second cooling surface while the second securing adhesive cures.

11. A method of assembling a battery module, the method comprising:

providing an adhesive standoff on a cooling surface;

providing, after the adhesive standoff is substantially cured, a securing adhesive on of the cooling surface;

pressing, before the securing adhesive is cured, a first end of each of a plurality of battery cells into the securing adhesive, wherein the adhesive standoff maintains the first end of each of the plurality of battery cells at a distance away from the cooling surface while the securing adhesive cures; and

curing the securing adhesive to secure the plurality of battery cells to the cooling surface,

wherein the providing the adhesive standoff on the cooling surface comprises arranging the adhesive standoff in a predetermined pattern that is different than the arrangement of the securing adhesive.

12. The method of claim 11, wherein the adhesive standoff and the securing adhesive have a same chemical formula.

13. The method of claim 11,

wherein respective portions of the predetermined pattern that maintain the first end of each of the plurality of battery cells the distance away from the cooling surface have a same arrangement of the adhesive standoff.

14. The method of claim 13, wherein the predetermined pattern is a plurality of parallel strips of the adhesive standoff, and

wherein the arrangement of the adhesive standoff of the respective portions of the predetermined pattern comprises exactly two of the plurality of parallel strips.

15. The method of claim 13, wherein the predetermined pattern is a plurality of clusters of at least three studs of the adhesive standoff, and

wherein the arrangement of the adhesive standoff of the respective portions of the predetermined pattern comprises exactly one cluster of the plurality of clusters.

16. The method of claim 13, wherein the predetermined pattern is a plurality of strips of the adhesive standoff arranged in a diagonal grid, and

wherein the method further comprises centering the first end of each of the plurality of battery cells at an origin of a grid crossing of the diagonal grid.

17. The method of claim 13, wherein the adhesive standoff has a first thickness, and

wherein a width of a bottom surface of the predetermined pattern adjacent to the cooling surface is larger than a width of a top surface, opposite to the bottom surface, of the predetermined pattern.

18. The method of claim 11, further comprising: arranging the plurality of battery cells in a hexagonal close-packed arrangement; and

**13**

disposing a dielectric coating on a first side of a cooling plate to form the cooling surface,  
 wherein each of the plurality of battery cells comprises an exposed region of electrically-active casing that covers the first end and a side of each of the plurality of battery cells.

**19.** The method of claim **11**, wherein the adhesive standoff is a first adhesive standoff,

wherein the securing adhesive is a first securing adhesive, and

wherein the method further comprises:

providing a second adhesive standoff on the cooling surface;

providing, after the second adhesive standoff is substantially cured, a second securing adhesive on the cooling surface;

providing a terminal;

pressing, before the second securing adhesive is cured, a bottom surface of the terminal into the second securing adhesive, wherein the second adhesive standoff maintains the bottom surface of the terminal at a distance away from the cooling surface while the second securing adhesive cures; and

curing the second securing adhesive to secure the terminal to the cooling surface.

**14**

**20.** The method of claim **11**, wherein the cooling surface is a first cooling surface of a cooling plate,

wherein the adhesive standoff is a first adhesive standoff, wherein the securing adhesive is a first securing adhesive,

wherein the plurality of battery cells is a first plurality of battery cells, wherein the cooling plate further comprises a second cooling surface, opposite the first cooling surface, and

wherein the method further comprises:

providing a second adhesive standoff on the second cooling surface;

providing, after the second adhesive standoff is substantially cured, a second securing adhesive on the second cooling surface;

providing a second plurality of battery cells;

pressing, before the second securing adhesive is cured, a first end of each of the second plurality of battery cells into the second securing adhesive, wherein the second adhesive standoff maintains the first end of each of the second plurality of battery cells a distance away from the second cooling surface while the second securing adhesive cures; and

curing the second securing adhesive to secure the second plurality of battery cells to the second cooling surface.

\* \* \* \* \*